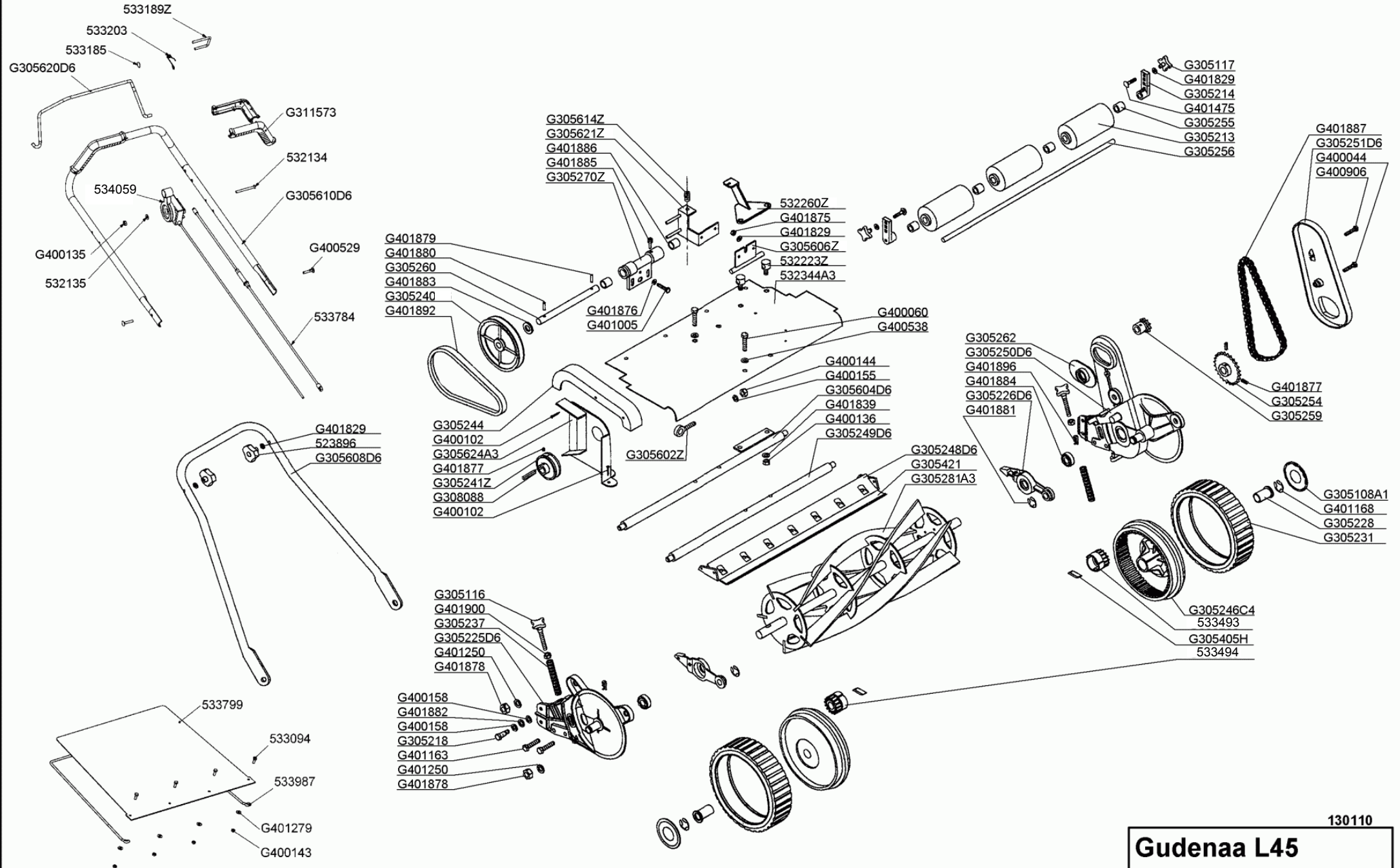


MOTOR: B&S 90102/0129-01



130110

**Gudena L45**