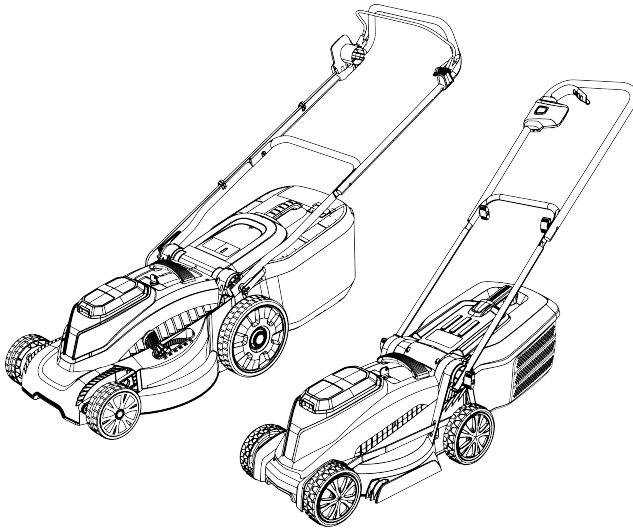


MONTAGEANLEITUNG AKKU-RASENMÄHER

32.1 Li
38.1 Li



DE

GB

NL

FR

ES

IT

SI

HR

RS

PL

CZ

SK

HU

DK

SE

NO

FI

EE

LT

LV

BG

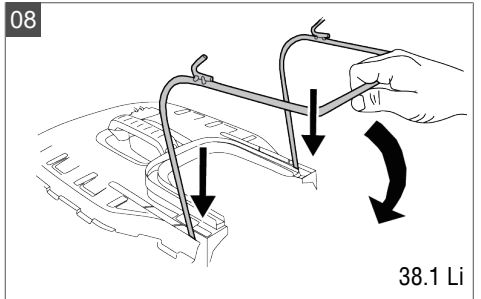
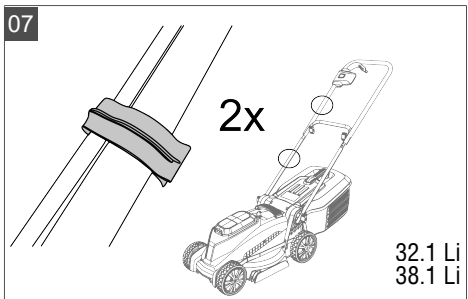
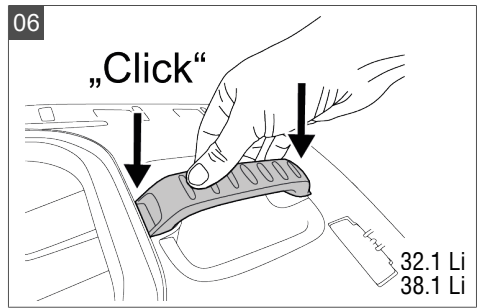
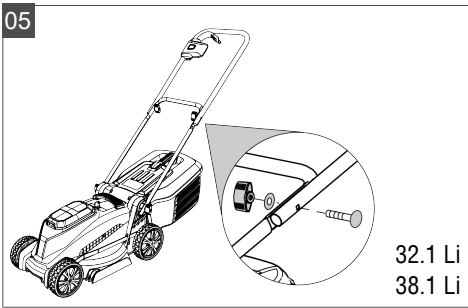
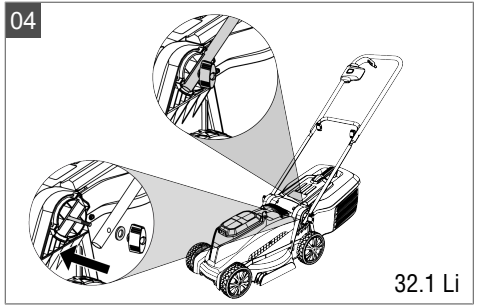
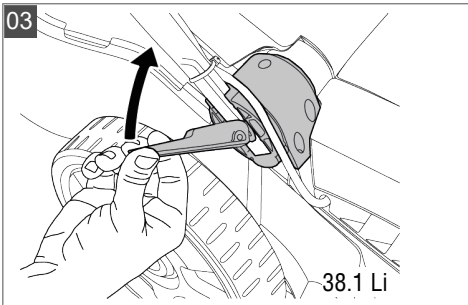
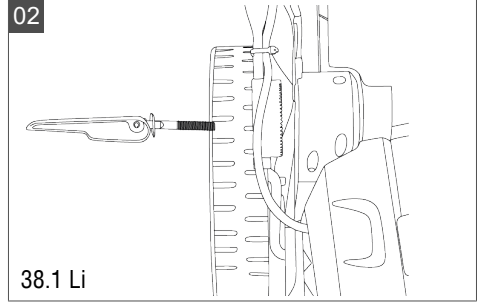
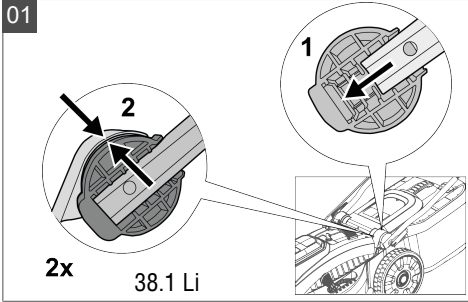
RU

UA

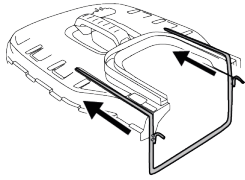
GR

MK

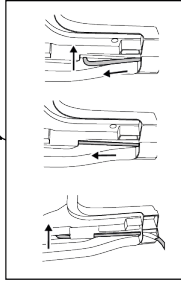




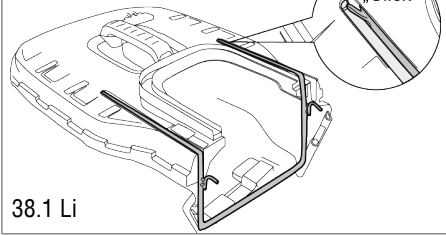
09



38.1 Li

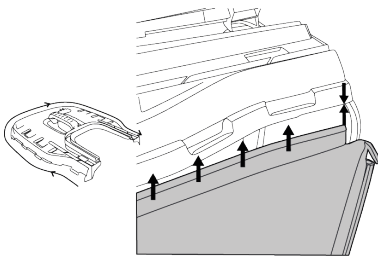


10



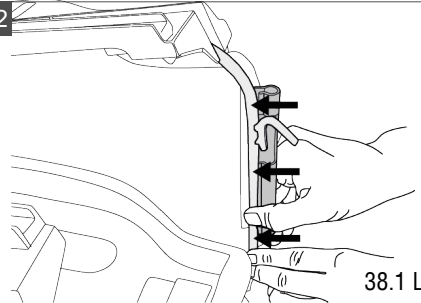
38.1 Li

11



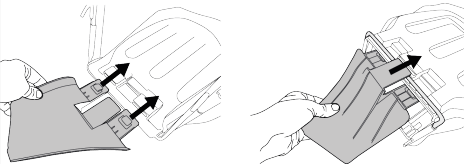
38.1 Li

12



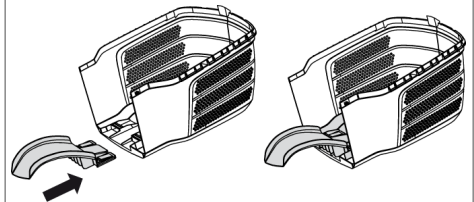
38.1 Li

13



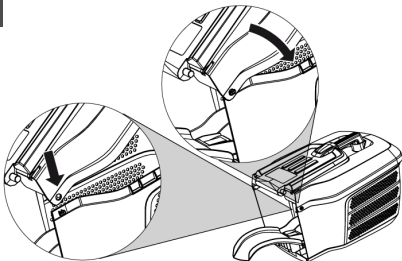
38.1 Li

14



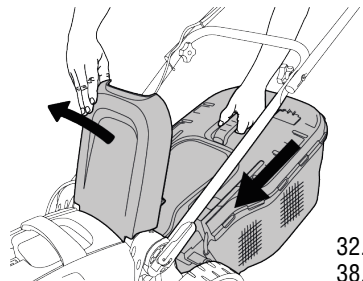
32.1 Li

15












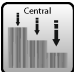






32.1 Li

16



32.1 Li
38.1 Li



|  | 32.1 Li | 38.1 Li |
|--|--|--|
|  |  113885/113943 (UK) |  113886/113944 (UK) |
| |  113901 |  113902 |
|  | 18 V DC | 18 V DC |
|  | max. 3300 min ⁻¹ | max. 3300 min ⁻¹ |
|  | 32 cm | 37 cm |
|  | 2,5 cm – 6,5 cm | 2,5 cm – 7,5 cm |
|  | 9,8 kg | 13,9 kg |
|  | 30 l | 45 l |
|  | IPX1 | IPX1 |
|  | L _{pA} = 78 dB(A) [K = 3 dB(A)] | L _{pA} = 77 dB(A) [K = 3 dB(A)] |
|  | L _{wA} = 89 dB(A) [K = 1,0 dB(A)] | L _{wA} = 90 dB(A) [K = 0,7 dB(A)] |
|  | a _{hv} = 1,1 m/s ² [K = 1,5 m/s ²] | a _{hv} = 2,6 m/s ² [K = 1,5 m/s ²] |

|  |  B50 Li (PBA 18V 2.5Ah W-B) |  B75 Li (PBA 18V 4.0Ah W-C) |  B100 Li (PBA 18V 5.0Ah W-C) |  B125 Li (PBA 18V 6.0Ah W-C) |
|--|--|--|---|---|
|  | 113893 | 113894 | 113895 | 113896 |



| | B50 Li (PBA 18V 2.5Ah W-B) | B75 Li (PBA 18V 4.0Ah W-C) | B100 Li (PBA 18V 5.0Ah W-C) | B125 Li (PBA 18V 6.0Ah W-C) |
|--|--------------------------------------|--------------------------------------|---------------------------------------|---------------------------------------|
| | 18 V | | | |
| | 2,5 Ah | 4,0 Ah | 5,0 Ah | 6,0 Ah |
| | 45 Wh | 72 Wh | 90 Wh | 108 Wh |
| | 0 °C – +45 °C | | | |
| | -20 °C – +50 °C | | | |

| | C50 Li (AL 1830 CV) | FC100 Li (AL 1880 CV) |
|--|--|--|
| | 113897 | 113899 |
| | 220 V – 240 V AC 50 - 60 Hz | 220 V – 240 V AC 50 - 60 Hz |
| | 70 W | 190 W |
| | 3 A | 8 A |
| | 2,5 Ah: 60 min. 4,0 Ah: 95 min. 5,0 Ah: 105 min. 6,0 Ah: 130 min. | 2,5 Ah: 36 min. 4,0 Ah: 39 min. 5,0 Ah: 46 min. 6,0 Ah: 62 min. |
| | 0 °C – +45 °C | 0 °C – +45 °C |





